

TWIST'N'LOCK™ MANUAL TOILETS:

Size: 16.73" L x 17.72" W x 13.19" H

Twist'N'Lock™ action safety handle provides a quick and easy lock that ensures a solid seal during your voyage

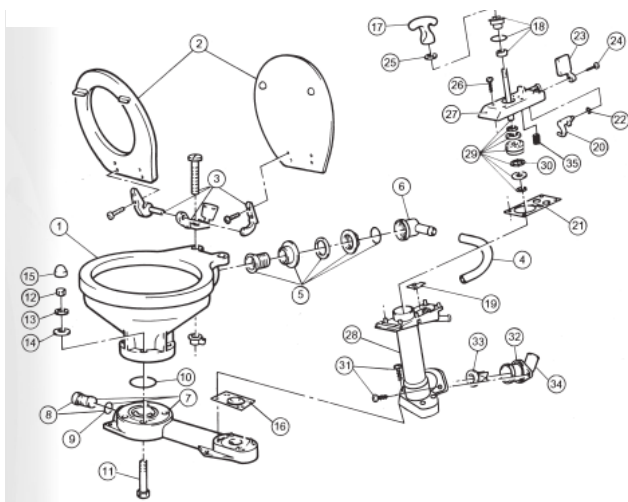


HUTCHINGS	MODEL
J-29090	29090-3000

SERVICE REPAIR KIT:

Kit Includes:

- | | |
|--|-------------------------------|
| # 15 = Cap (2) | # 24 = Screw (Flush Lever) |
| # 16 = Base Valve Gasket | # 25 = Buffer |
| # 18 = Seal Housing Assy (from 1998 onwards) | # 26 = Screw (Valve Cover) |
| # 19 = Top Valve Seat | # 30 = O-Ring (Piston) |
| # 21 = Top Valve Gasket | # 31 = Screw (Pump Cylinder) |
| # 22 = O-Ring (Flush Lever) | # 33 = Joker Valve |

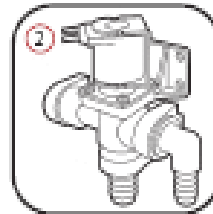


HUTCHINGS	DESCRIPTION	MODEL
J-29045-00	Service Kit (up to 1997)	29045-0000
J-29045	Service Kit (1998-2007)	29045-2000
J-29045-30	Service Kit (from 2008)	29045-3000

DELUXE FLUSH RANGE OF ELECTRIC TOILETS:



- All aspects of the design have been optimized for minimal water usage and near silent operation
- Stylish and extremely compact design is carefully contoured to conceal the flush pump, wiring and plumbing, whilst still featuring a full size household seat
- SLANT back version gives minimal footprint and makes it easy to mount against a sloping surface or in a corner
- STRAIGHT back version allows snug fitting against a vertical bulkhead
- Supplied with solenoid valve and siphon breaker assembly for connection to any existing pressurized water system capable of delivering 2.9US gpm or more. The siphon breaker ensures there is no backflow from the toilet into the water system.
- Multifunction 'one touch' control pad offering 4 rinse and flush options, using as little as 1-1/2 L of water
- Space saving elegant design
- Household sized seat
- Fresh or salt water flush options
- Anti-blocking centrifugal flush pump
- High gloss vitreous china bowl
- No 'dirt traps' for maximum hygiene and easy cleaning



Solenoid Valve & Siphon Breaker



SLANT BACK



STRAIGHT BACK

HUTCHINGS	DESCRIPTION	MODEL
J-58220	Slanted Back, 12VDC, 25Amp	58220-1012
J-58240	Straight Back, 12VDC, 25Amp	58240-1012

MARINE TOILETS

ELECTRONIC TOILETS:



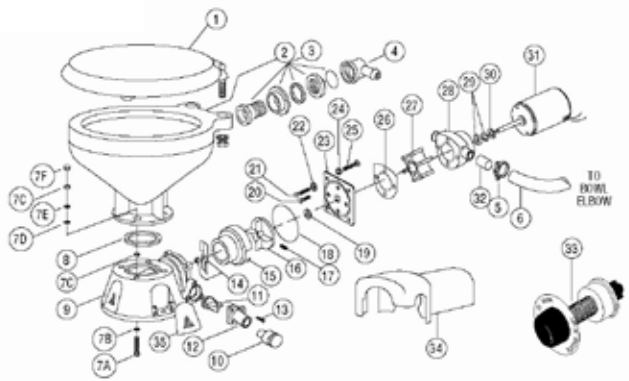
- Household size bowl complements the luxury of electric flushing with choice of compact bowl where space is at a premium
- Hygienic pure white vitreous china bowl for ease of cleaning
- Stylized luxury wooden seat and cover with tough baked enamel coating
- Stainless steel and bronze fastenings for reliable salt water service
- Flushing pump self-priming up to 4ft vertical lift
- May be mounted 3ft below the water line
- Equally suitable for overboard or holding tank discharge
- Built-in back flow preventer
- For installations fitted with vented loops use a solenoid valve
- Size: 13-7/8"W x 17-5/8"D x 14"H
- Weight: 34 lbs

NEW 2011



Service Kit Includes:

- #11 Joker Valve (1)
- #18 O-Ring (1)
- #22 Washer, Fiber (2)
- #26 Gasket (1)
- #27 Flexible Impeller (1)
- #29 Seal & Retainer (1)



HUTCHINGS	DESCRIPTION	MODEL
J-37010	Electric Toilet, 12VDC, 25Amp	37010-0090
J-37040	Toilet Service Kit	37040-0000
J-44106	Joker Valve	44106-1000

LITE FLUSH ELECTRIC TOILETS:



- A New Electric toilet designed to instantly retro-fit your existing manual toilet or to give your bathroom a modern stylish look. Innovative design offers both low power and water consumption with an integral rinse and waste pump system.
- The first press of the foot-switch activates the rinse pump and adds .6 L of water to the bowl, the second press of the foot-switch activates the rinse pump adding another .6 L of water to the bowl and then operates the flush pump, discharging the contents and leaving the bowl dry.
- Light weight and compact, Stylish and contemporary design
- Quiet and efficient flush pump technology
- Low power consumption (1.0 amp/hour per day); and low water usage (1.2 L/flush)
- Slow close seat and lid



HUTCHINGS	DESCRIPTION	MODEL
J-58500	Electric Toilet, Lite Flush Footswitch 12VDC, 25Amp	58500-0012

VENTED LOOPS:



- Essential safety component on all inlet and discharge plumbing of toilets installed below the static or heeled waterline
- Simple valve system ensures water cannot siphon over plumbing loops
- Internal valve avoids the need for external venting



HUTCHINGS	DESCRIPTION	MODEL
J-29015	3/4" Model, 2-3/4"H x 4"W x 1"D	29015-0000
J-29151	1-1/2" Model, 4-3/4"H x 7-3/4"W x 1-3/4"D	29015-0010